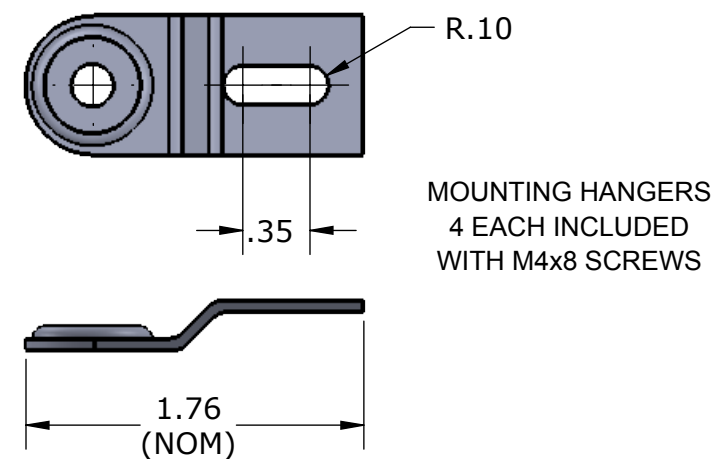
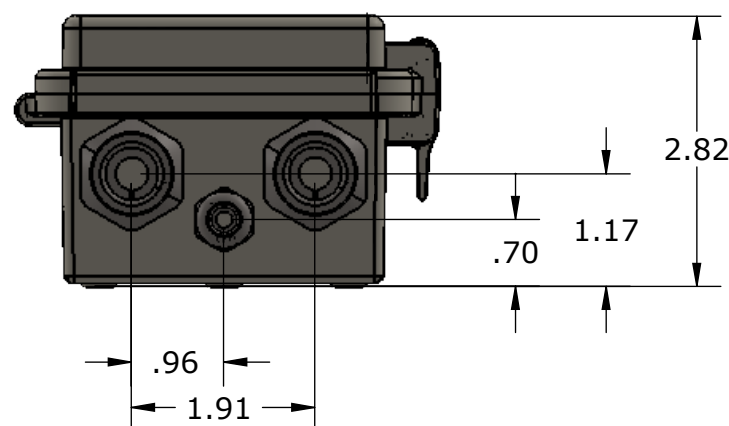
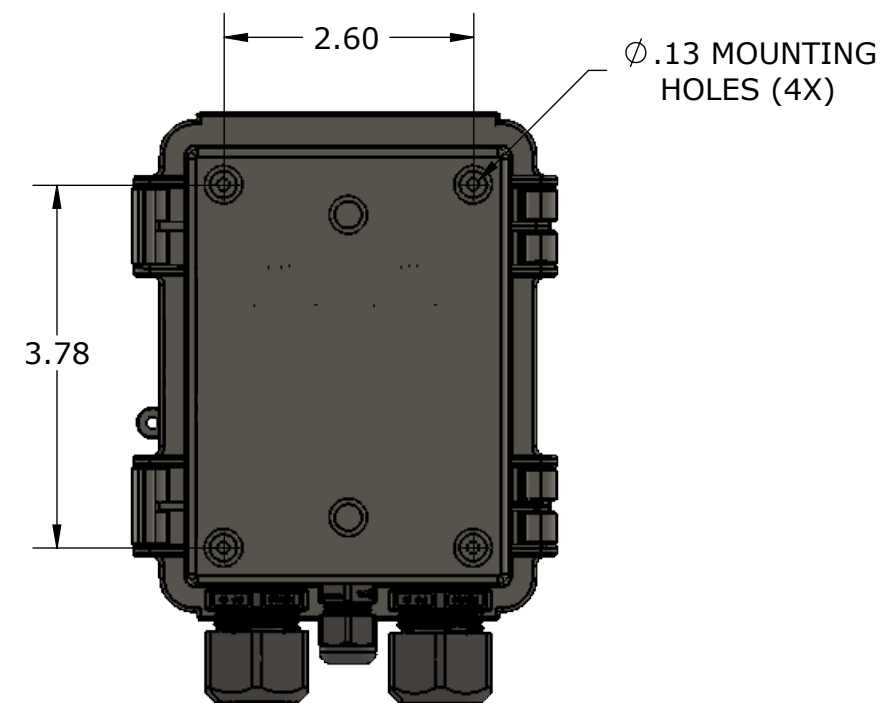
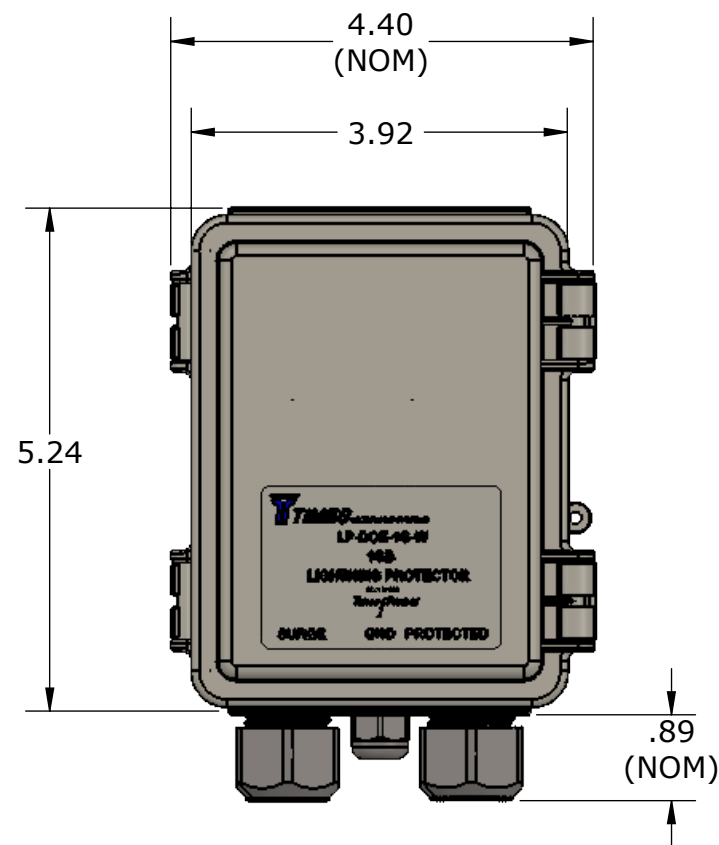
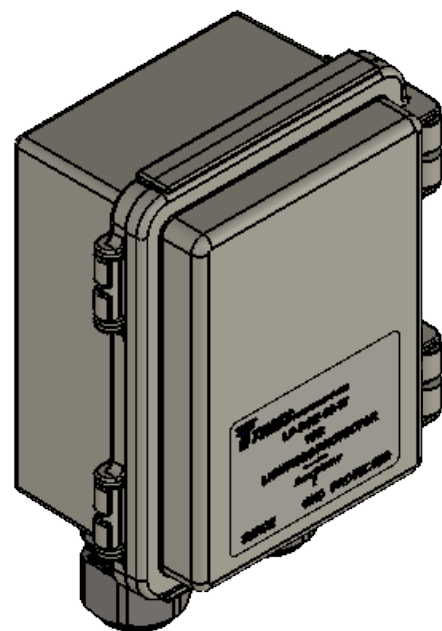


NOTICE OF PROPRIETARY RIGHTS

THIS DOCUMENT CONTAINS CONFIDENTIAL TECHNICAL DATA, INCLUDING TRADE SECRETS, PROPRIETARY TO TIMES MICROWAVE SYSTEMS. DISCLOSURE OF THIS DATA IS EXPRESSLY CONDITIONED UPON YOUR ASSENT THAT ITS USE IS LIMITED TO USE WITHIN YOUR COMPANY ONLY. ANY OTHER USE IS STRICTLY PROHIBITED WITHOUT THE PRIOR WRITTEN CONSENT OF TIMES MICROWAVE SYSTEMS.

REV.	DESCRIPTION	DFTM	DATE	APPD	DATE
A	RELEASED PER CDC _____				



SPECIFICATIONS (PRELIMINARY)

APPLICATION:
1000 Base-T, PANEL MOUNT, OUTDOOR.

ELECTRICAL:
CONNECTOR: RJ45 JACK, SHIELDED.
DATA RATE: 1000 Mbps, 1000 Base-T PER IEEE 802.3ab.
DATA TEST METHOD: EXTENDED RFC2544 TESTS.
PROTECTED PIN PAIRS: (1-2), (3-6), (4-5), (7-8).
PROTECTED PINS TO CHASSIS GROUND: ALL PINS.
MAXIMUM DISCHARGE CURRENT:

ONE TIME DISCHARGE:
300A, 10/1000uS, PER BELLCORE 1089.
5kA 8/20uS PER IEC 61000-4-5.

REPETITIVE DISCHARGE (10 CYCLES MAXIMUM):
100A, 10/1000uS, PER BELLCORE 1089.
3kA 8/20uS PER IEC 61000-4-5.

SURGE LET THROUGH VOLTAGE: 20V PEAK @ 300A, 10/1000uS.
20V PEAK @ 5kA, 8/20uS

IMPEDANCE: 100 OHMS NOMINAL.

MECHANICAL:
WEIGHT: 7.6oz.
MOUNTING: POLE OR PANEL.

ENVIRONMENTAL:
IP68 RATING
OPERATING TEMPERATURE: -40 TO +65 deg-C
RELATIVE HUMIDITY: 0 TO 90% NON- CONDENSING.

MATERIAL:
POLY-CARBONATE & NYLON

USED ON ASSY.

DRAFTSMAN		TIMES MICROWAVE SYSTEMS	
CHECKER			
APPROVED			
UNLESS OTHERWISE SPECIFIED		TITLE:	
ALL DIMENSIONS ARE IN INCHES MACHINED SURFACES FINISH 32 RMS MAX. REMOVE ALL BURRS .005 MAX. BREAK MACHINE CORNERS .005 MAX. FILLET R. TOLERANCES ON DECIMALS .XX ± .01 .XXX ± .005 ANGLES ± 1° FRACTIONS ± 1/32		SURGE PROTECTOR - ETHERNET, 1GB	
DWG. SIZE	B	DRWG. NO.	LP-DOE-1G-W
CODE IDENT.	68999	SCALE:	1:2
		REV. A	
		SHEET 1 OF 2	

DO NOT SCALE DRAWING

NOTICE OF PROPRIETARY RIGHTS

THIS DOCUMENT CONTAINS CONFIDENTIAL TECHNICAL DATA, INCLUDING TRADE SECRETS, PROPRIETARY TO TIMES MICROWAVE SYSTEMS. DISCLOSURE OF THIS DATA IS EXPRESSLY CONDITIONED UPON YOUR ASSENT THAT ITS USE IS LIMITED TO USE WITHIN YOUR COMPANY ONLY. ANY OTHER USE IS STRICTLY PROHIBITED WITHOUT THE PRIOR WRITTEN CONSENT OF TIMES MICROWAVE SYSTEMS.

INSTALLATION INSTRUCTIONS

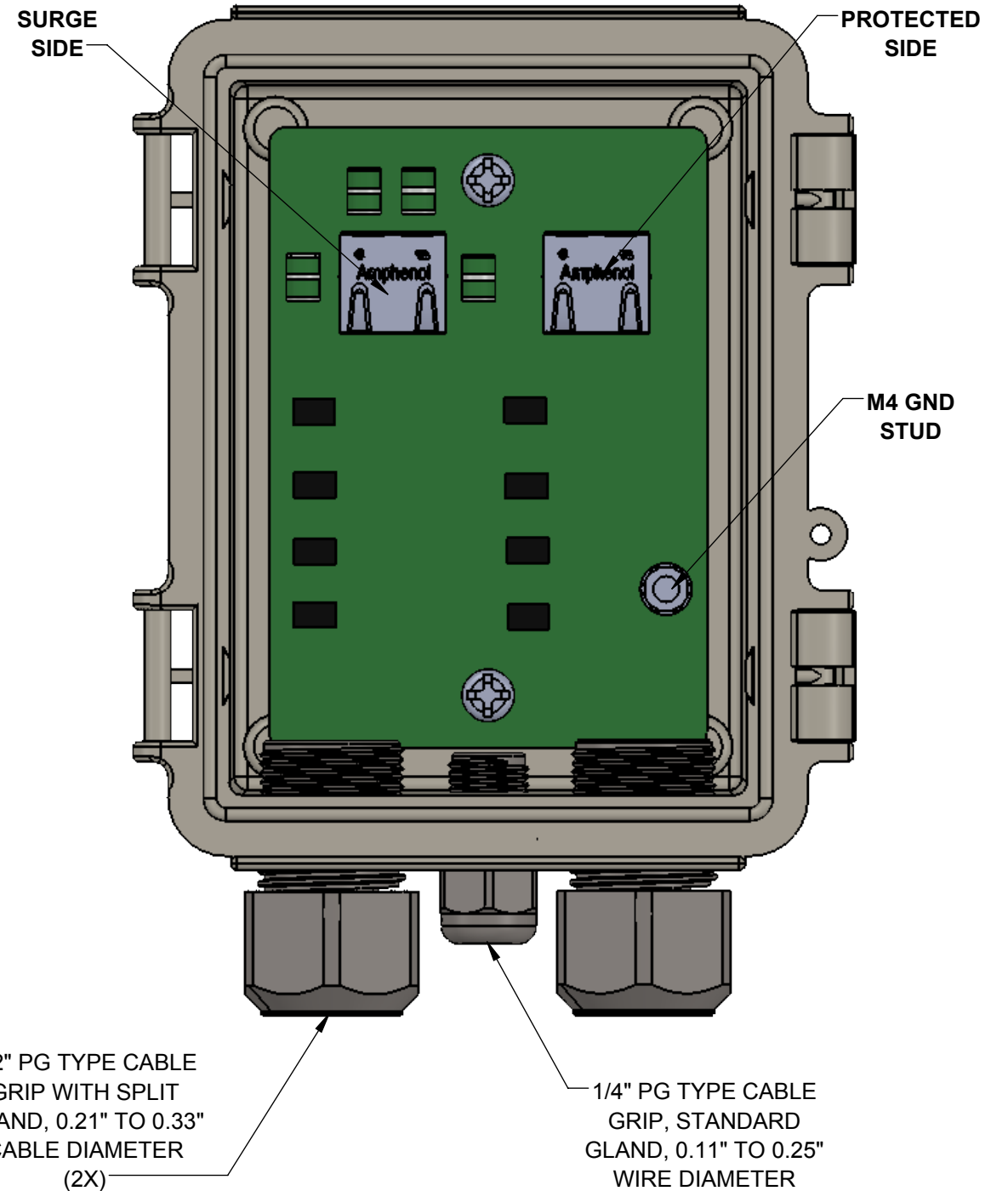
WARNING

THIS LP DEVICE IS DESIGNED TO BE USED WITH SHIELDED CAT5/6 ETHERNET CABLE TERMINATED WITH SHIELDED RJ45 CONNECTORS AND WHEREBY THE CABLE SHIELD IS BONDED TO THE RJ45 CONNECTOR SHIELD.

- 1) IF USING MOUNTING HANGERS PROVIDED, INSTALL THE 4 HANGERS ONTO THE BACK OF THE LP ENCLOSURE USING THE 4 M4X8 SCREWS PROVIDED.
- 2) IF THE UNIT IS TO BE MOUNTED ONTO A FLAT PANEL, ROTATE THE POSITION THE MOUNTING HANGERS IN ACCORDANCE WITH THE DESIRED MOUNTING FOOTPRINT. MOUNT THE UNIT TO THE PANEL USING APPROPRIATE SIZED FASTENERS.
IF MOUNTING ONTO A POLE, THEN TIE THE UNIT TO THE POLE USING TWO APPROPRIATE SIZED STEEL TIES, ONE TIE PASSING THROUGH TWO OPPOSING HANGERS.
- 3) LOOSEN THE 1/4" CABLE GRIP AND PASS A GROUNDING WIRE (10 TO 8AWG) THROUGH THE GRIP. TERMINAL THE GROUND WIRE WITH A #8 RING TERMINAL SIZED FOR THE GROUND WIRE.
REMOVE THE TOP NUT FROM THE LP PCB GROUND STUD AND INSTALL THE GROUND WIRE ONTO THE STUD, REPLACING THE NUT AND TIGHTENING.
- 4) SECURE THE FREE END OF THE GROUND WIRE TO AN EXTERNAL SYSTEM GROUND. THE PREFERRED LENGTH OF THE GROUND WIRE IS 12" OR LESS.
- 5) (NOTE: IF USING PRE-ASSEMBLED ETHERNET CABLE ASSEMBLIES, THE SPLIT GLANDS USED IN THE LP CABLE GRIPS WILL FACILITATE PASSING THE CABLE ASSEMBLY THROUGH THE GRIPS. HOWEVER, IF THE CABLE ASSEMBLIES ALSO POSSESS A STRAIN RELIEF BOOT, THAT BOOT MUST BE REMOVED IN ORDER TO PASS THROUGH THE CABLE GRIP. THE GRIP ITSELF WILL PROVIDE SUFFICIENT STRAIN RELIEF FOR THE CABLE ASSEMBLY.)
THE FOLLOWING PROCEDURE APPLIES TO BOTH THE SURGE AND PROTECTED SIDE ETHERNET CABLE INSTALLATION.
REMOVE THE CABLE GRIP OUTER NUT THEN REMOVE THE SPLIT GLAND FROM THE LP CABLE GRIP. PLACE CABLE GRIP NUT ONTO THE PRE-ASSEMBLED ETHERNET CABLE THEN PLACE THE SPLIT GLAND AROUND THE PRE-ASSEMBLED ETHERNET CABLE MAKING SURE THE GLAND IS IN FRONT OF THE NUT AND HAS ITS BEVELED END POINTING AWAY FROM THE NUT.
PASS THE ETHERNET CABLE THROUGH THE GRIP SECTION ATTACHED TO THE LP ENCLOSURE AND CONNECT THE CABLE TO THE APPROPRIATE RJ45 CONNECTOR LOCATED ON THE LP UNIT.
SLIDE THE GLAND BACK INTO THE CABLE GRIP SECTION ATTACHED TO THE LP ENCLOSURE.
SLIDE THE GRIP NUT BACK ONTO THE CABLE GRIP AND TIGHTEN.

MATERIAL:

USED ON ASSY.



DRAFTSMAN			TIMES MICROWAVE SYSTEMS		
CHECKER					
APPROVED					
UNLESS OTHERWISE SPECIFIED			TITLE:		
ALL DIMENSIONS ARE IN INCHES MACHINED SURFACES FINISH 32 RMS MAX. REMOVE ALL BURRS .005 MAX. BREAK MACHINE CORNERS .005 MAX. FILLET R. TOLERANCES ON DECIMALS .XX ± .01 .XXX ± .005 ANGLES ± 1° FRACTIONS ± 1/32			SURGE PROTECTOR - ETHERNET, 1GB		
DWG. SIZE	B	DRWG. NO.	LP-DOE-1G-W	REV.	A
CODE IDENT.	68999	SCALE:	1:1	SHEET 2 OF 2	
DO NOT SCALE DRAWING					