

NOTICE OF PROPRIETARY RIGHTS

THIS DOCUMENT CONTAINS CONFIDENTIAL TECHNICAL DATA, INCLUDING TRADE SECRETS, PROPRIETARY TO TIMES MICROWAVE SYSTEMS. DISCLOSURE OF THIS DATA IS EXPRESSLY CONDITIONED UPON YOUR ASSENT THAT ITS USE IS LIMITED TO USE WITHIN YOUR COMPANY ONLY. ANY OTHER USE IS STRICTLY PROHIBITED WITHOUT THE PRIOR WRITTEN CONSENT OF TIMES MICROWAVE SYSTEMS.

SPECIFICATIONS

DESCRIPTION:

SURGE/LIGHTNING PROTECTOR FOR IEEE 802.3at GIGABIT PoE DC PASS THROUGH APPLICATIONS.

ELECTRICAL:

CONNECTORS: RJ45 JACK, SHIELDED.
 IMPEDANCE: 100 OHMS NOMINAL.
 DC RESISTANCE: 8 OHMS.
 DATA RATE: 1000 Mbps, 1000 Base-T PER IEEE 802.3at, MODES A & B.
 DATA TEST METHOD: EXTENDED RFC2544 TESTS.
 PROTECTED PIN PAIRS: (1-2), (3-6), (4-5), (7-8).
 PROTECTED PINS TO CHASSIS GROUND: ALL PINS.
 DATA PIN PAIRS: (1-2), (3-6), (4-5), (7-8).
 DC PIN PAIRS: LINE ((1-2), (4-5)), RETURN ((3-6), (7-8)).
 DC VOLTAGE: +/-48VDC NOMINAL, +/-60VDC MAX.
 DC CURRENT: 600mA MAX PER MODE.
 MAXIMUM SURGE CURRENT:
 ONE TIME DISCHARGE:
 300A, 10/1000uS WAVEFORM PER TELCORDIA GR-1089.
 5kA, 8/20uS WAVEFORM PER IEC 61000-4-5.
 REPETITIVE DISCHARGE (10 CYCLES):
 100A, 10/1000uS PER TELCORDIA GR-1089.
 3kA 8/20uS PER IEC 61000-4-5.
 SURGE LET THROUGH VOLTAGE:
 @ 100A, 10/1000uS:
 LINE-LINE <150V PEAK.
 LINE-GROUND <85V PEAK.
 @ 3kA, 8/20uS:
 LINE-LINE <150V PEAK.
 LINE-GROUND <85V PEAK.

MECHANICAL:

DIMENSIONS: 4.68" x 2.22" x 1.25".
 WEIGHT: 3.7oz.
 MOUNTING: PANEL.

ENVIRONMENTAL:

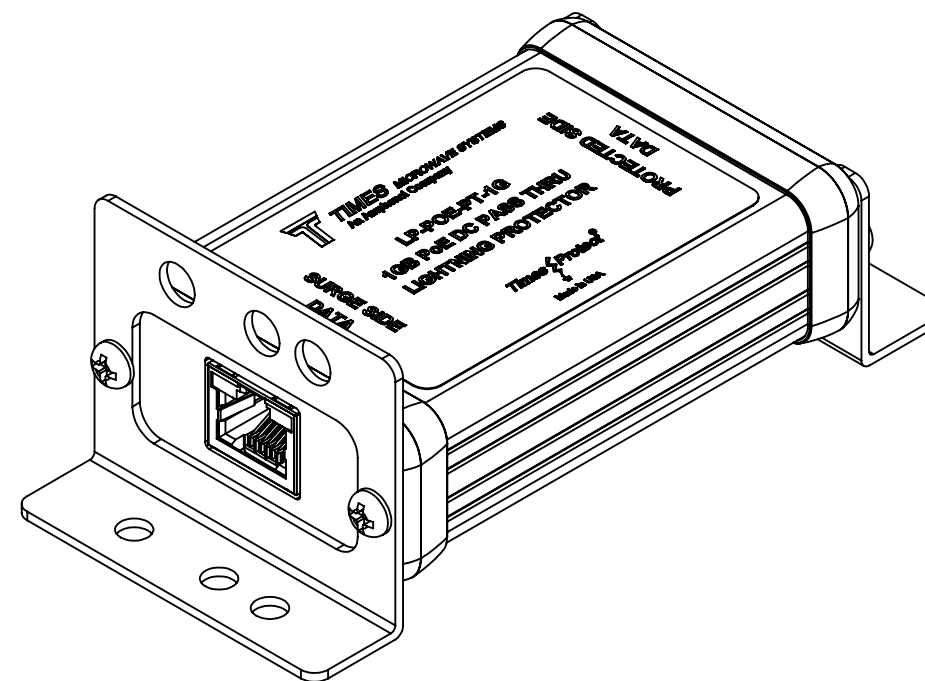
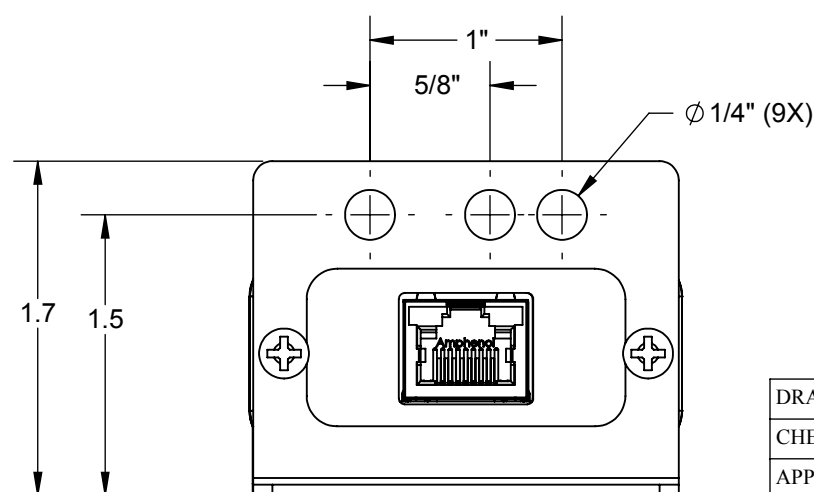
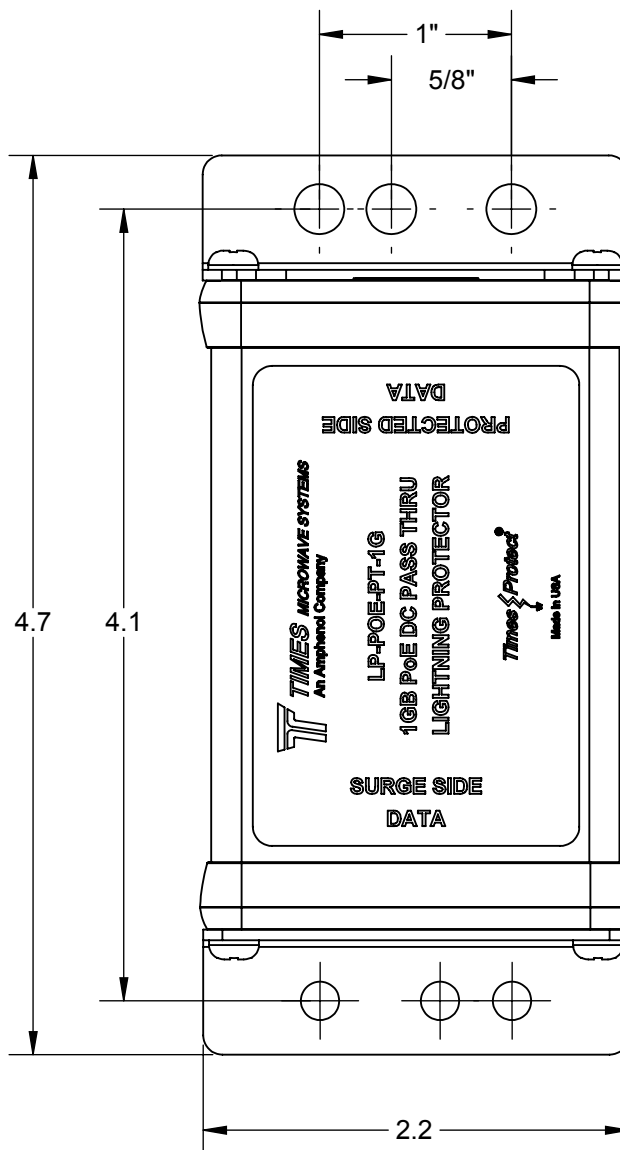
OPERATING TEMPERATURE: -40 TO +65 deg-C.
 RELATIVE HUMIDITY: 0 TO 90% NON- CONDENSING.

REGULATORY:

RoHS COMPLIANT.
 NEBS LEVEL 3 COMPLIANT.

SUPPORTING HARDWARE:

GROUND LUGS (THOMAS-BETTS)
 256306951298 (14AWG - 10AWG)
 54850BE (8AWG)
 54852BE (6AWG)



MATERIAL:	
ALUMINUM	
USED ON ASSY.	

DRAFTSMAN			TIMES MICROWAVE SYSTEMS	
CHECKER				
APPROVED				
UNLESS OTHERWISE SPECIFIED			TITLE: SURGE PROTECTOR - PoE DC PASS THROUGH, 1GB IEEE 802.3at, MODES A & B	
ALL DIMENSIONS ARE IN INCHES MACHINED SURFACES FINISH 32 RMS MAX. REMOVE ALL BURRS .005 MAX. BREAK MACHINE CORNERS .005 MAX. FILLET R. TOLERANCES ON DECIMALS .XX ± .01 .XXX ± .005 ANGLES ± 1° FRACTIONS ± 1/32			DWG. SIZE: B	DRWG. NO.: LP-POE-PT-1G
DO NOT SCALE DRAWING			CODE IDENT. 68999	REV. B
			SCALE: 1:1	SHEET 1 OF 1